

ENGINE

Cummins ISLe5 ADR 80/03 (Euro 5) 8.9L turbocharged engine with (air-air) intercooler, water cooled, 4 stroke diesel cycle, 6 cylinders in line, EDC control.

SCR, Non EGR.

280Hp ADR 80/03 (Euro 5) Emission.

Total displacement: 8900cm³.

Maximum output: 209 kW (280hp) at 2100 rpm.

Maximum torque: 1056Nm (779 lbs./ft) @ 1100-1700 rpm.

Optional: Engine Rating 320hp.

Maximum output: 235 kW (320hp) at 2100 rpm.

Maximum torque: 1350Nm (996 lbs./ft) @ 1100-1500 rpm.

TRANSMISSION

Automatic Allison World Series T375R. Fully automatic 6 speed with torque converter and integrated hydraulic retarder.

1st 3.49:1

5th 0.75:1

2nd 1.86:1

6th 0.65:1

3rd 1.41:1

Reverse 5.03:1

4th 1.00:1

AXLES

Front: IVECO 5876 Forged steel I beam.

Rear: Meritor MC11-165 fully floating single reduction 5.38:1.

SUSPENSION

Front: Hendrickson HAS60 Five link system with two air springs, anti roll bar, heavy duty shock absorbers and single height control valve.

Rear: IVECO 4 air spring with anti roll bar and heavy duty shock absorbers.

- vehicle lifting front and rear, lowering at front, electronic control air suspension: ECAS (electronic set up adjustment, kneeling device, vehicle lifting and lowering).

BRAKES

Service

ABS

Ventilated 4 wheel disc brakes: 430mm.

Dual circuit air system.

Total lining area: 8376cm.

510L/min compressor.

Parking brake

Rear wheel spring actuated with modulated control interlock facility on park brake & secondary brake circuit.

Reservoirs

Brakes

60L. 2 tanks mounted outboard.

Suspension: 52L. 2 tanks.

Air dryer.

WHEELS AND TYRES

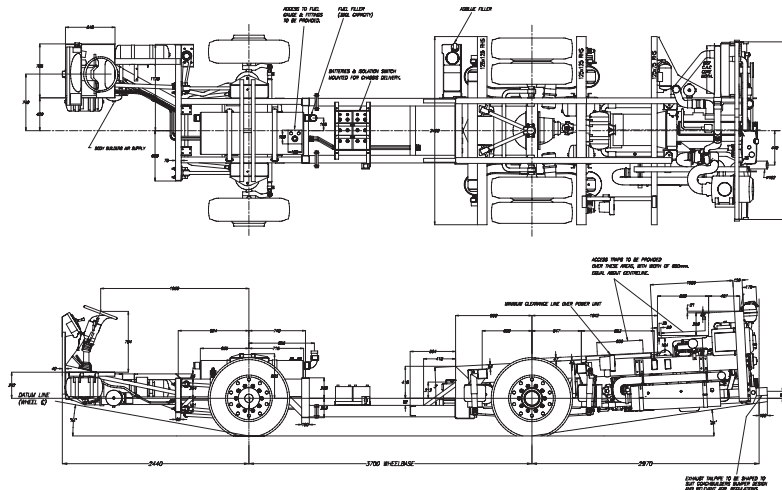
10-stud steel disc wheels 8.25 x 22.5".

PCD 335mm.

Tyres: 295/80 22.5. Goodyear UrbanMax.

Optional: Aluminium disc wheels 8.25 x 22.5".





FRAME

Powder coated high strength, low alloy steel channel.

DRIVE / STEERING

Power steering, type Sheppard M110.
Steering wheel: Diameter 465 mm.
Steering wheel lock on column.

ELECTRICAL

Rated supply voltage 24 V.
Batteries 2 x NI150 Capacity 800 CCA each.
150 amp alternator - Option: 2nd alternator.
Temporary battery carrier.

COOLING SYSTEM

Engine and charge air cooler radiators located to the RHS of chassis.
Thermostatically controlled viscous fan.
Capacity: 51L.

INSTRUMENTATION

Gauges

Brake system pressure - primary & secondary, vehicle speedometer with lcd display, coolant temperature, engine rev counter, fuel level, urea level.

LCD Display

Odometer, hourmeter, voltage, engine oil pressure, trip distance, fuel consumption, fuel economy, diagnostic messages from engine transmission & abs, transmission oil level & temperature.

Warning Lights

Engine low oil pressure, engine warning, stop engine fault, wait to start, cruise control on, engine mil, check transmission fault, retarder on and overheat fault, abs failure, traction control, air suspension failure & warning, park brak applied, high beam, turn indicators, low power steering fluid, front brake wear, blocked air filter, hazard lights.

Warning Buzzer

Low air-pressure, low water level indicator, turn indicators, reverse gear.

STANDARD FEATURES

Adjustable height and rake steering column.
Rear mounted remote engine start/stop switch.
Cruise control.
406mm MANN dry element engine air cleaner with remote mount restriction indicator.

PERFORMANCE

Top speed 100 Km/h with speed limiter.

FUEL TANK

300L tank located over front axle.
Self priming system.
35 urea on LHS.

CHASSIS DIMENSIONS (Dimensions in mm)

	Short Chassis	Long Chassis
Wheelbase (WB)	3700	3700
Chassis length (OAL)	9110	9460
Chassis width	2400	2400
Front overhang (FOH)	2440	2460
Rear overhang (ROH)	2970	3300
Front track	2034	2034
Rear track	1803	1803
Overall width	2496	2496
Bodied wheelbase	Dependent upon body builder	
Bodied length	11100 - 12500	12500
Bodied width	2500	2500
Bodied floor height	Dependent upon body builder	
Frame height front	495	495
Frame height rear (FHR)	961	961
Approach angle (AA)	8.8°	8.8°
Departure angle (DA)	7.8°	7.8°

WEIGHTS (Weights in kg)

Front axle	7500	7500
Rear axle	11000	11000
GVM	18500	18500
Chassis tare	5843	5843

IVECO Trucks Australia Limited A.B.N. 86 004 065 061

Princes Hwy, Dandenong, Victoria 3175
P.O. Box 117 Dandenong, Victoria 3175
Telephone: (03) 9238 2200 Facsimile: (03) 9238 2387
Bus enquiries: 1800 602 287

www.iveco.com.au